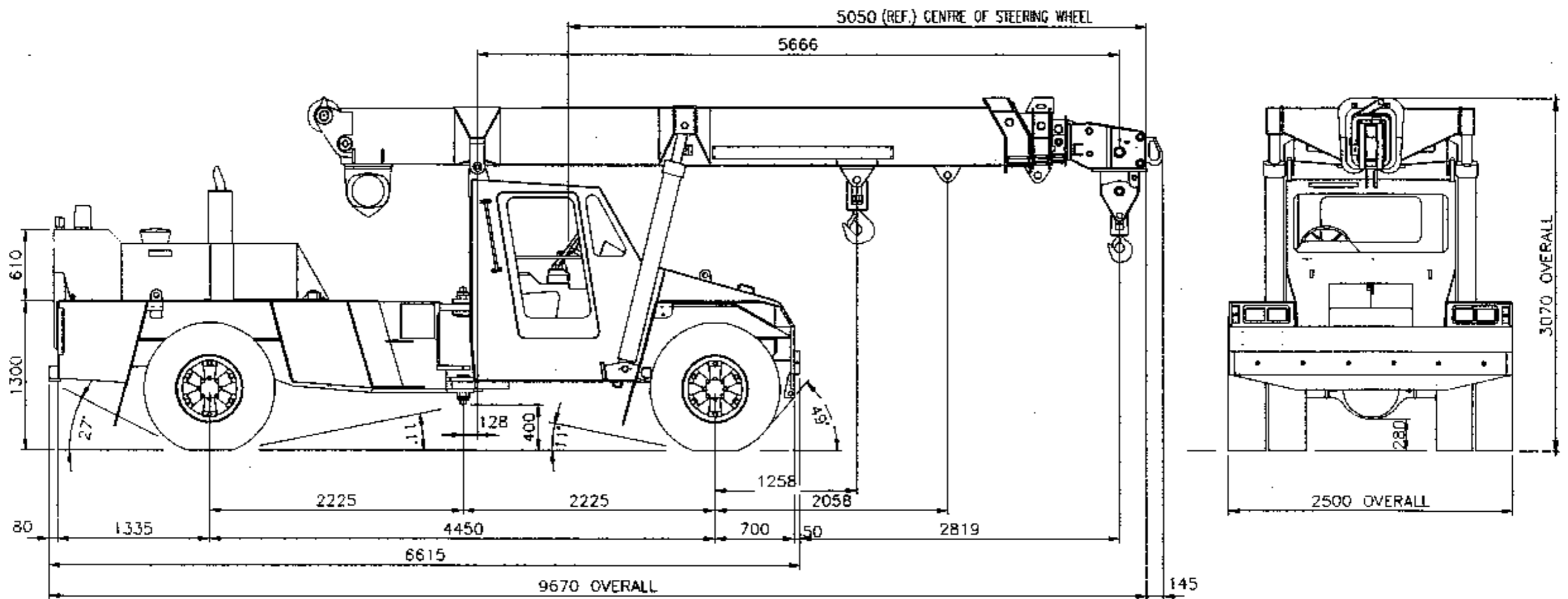


# INFORMATIONAL DATA



## Crane Dimensions

<b>Length (carrier)</b>	<b>6 615</b>
<b>Width</b>	<b>2 500</b>
<b>Height (with Boom)</b>	<b>3 070</b>
<b>Length Overall</b>	<b>9 670</b>
<b>Wheelbase</b>	<b>4 450</b>
<b>Front Axle Weight</b>	<b>8 000 kg</b>
<b>Rear Axle Weight</b>	<b>11 500 kg</b>